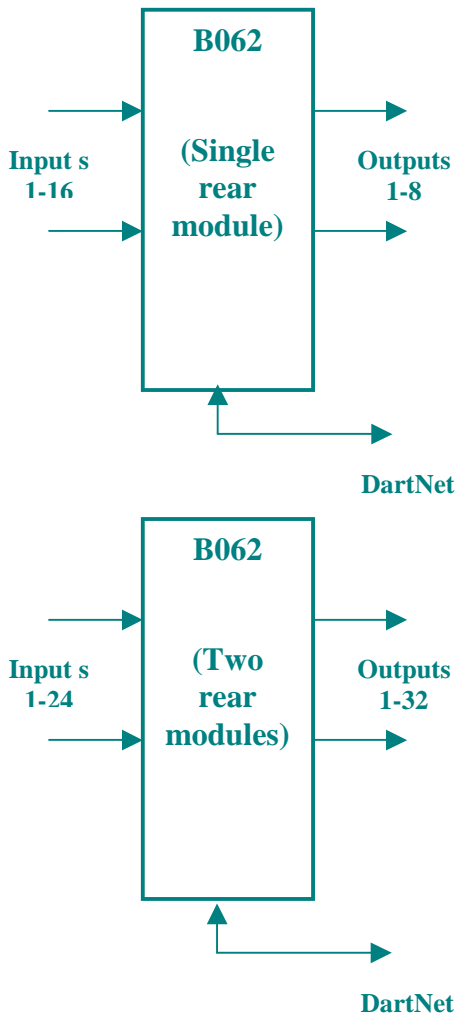




## B062 System Control Interface Module



The B062 System Control Interface is fully compatible with the Hawkeye range of modules and provides enhanced control as an interface or as a stand alone controller.

The module can be fitted with one or two rear connector panels. With one rear it is pin compatible with the B061 controller and comprises 16 opto-coupled inputs and 8 relay outputs. Adding a 2<sup>nd</sup> identical rear module increases the number of opto-coupled inputs to 24 and outputs to 32 (8 relay and 24 open collector).

Features of the B062 include good to fail input timers, and input-to-output logic mapping. This means that certain conditions on the input can determine the state of the output relays.



The B062 has a DART\* interface for interrogation and control. This provides a simple way of obtaining information from equipment with GPI outputs and feeding it into the DARTnet system, used by Vistek.

dB Broadcast also offers the option of customised software for the B062 to match a customer's particular application.

