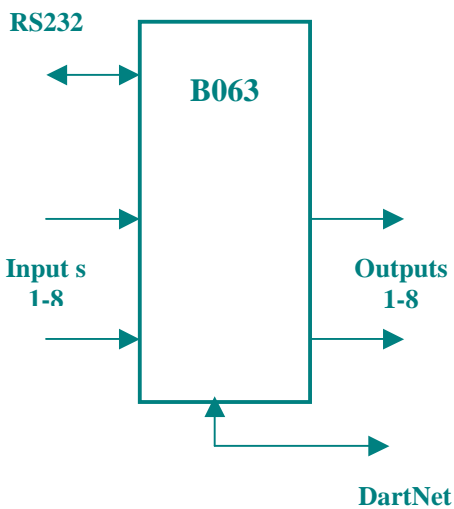




B063 Serial Control Module



The B063 Serial Controller is fully compatible with the Hawkeye range of modules and converts serial commands to general-purpose inputs and outputs.

The module includes an RS232 serial connection, 8 opto coupled inputs and 8 independent relay outputs. It has a front panel switch (available for a customer specified purpose such as local/remote, auto/manual or other application) and 6 LED's of which three are used to show Power, Dart and RS232 activity but the others are available for custom applications.

The module was initially designed to convert the serial commands of a Sandar Prosan protocol to relay closing contacts but dB Broadcast also offers the option of customised software to match a customer's particular application.

In the initial application four of the relay outputs controlled 4 switches (on 2x Hawkeye B043 dual 2x1 switch modules). The opto coupled inputs were used for tallies from the switches, a fifth was used for indicating that the switch module was in local rather than remote control mode and a sixth to indicate the switch was not true (i.e a switch request was not carried out successfully).



The module is DART compatible and provides monitoring status to the DART Bus. I.e That the module is present.